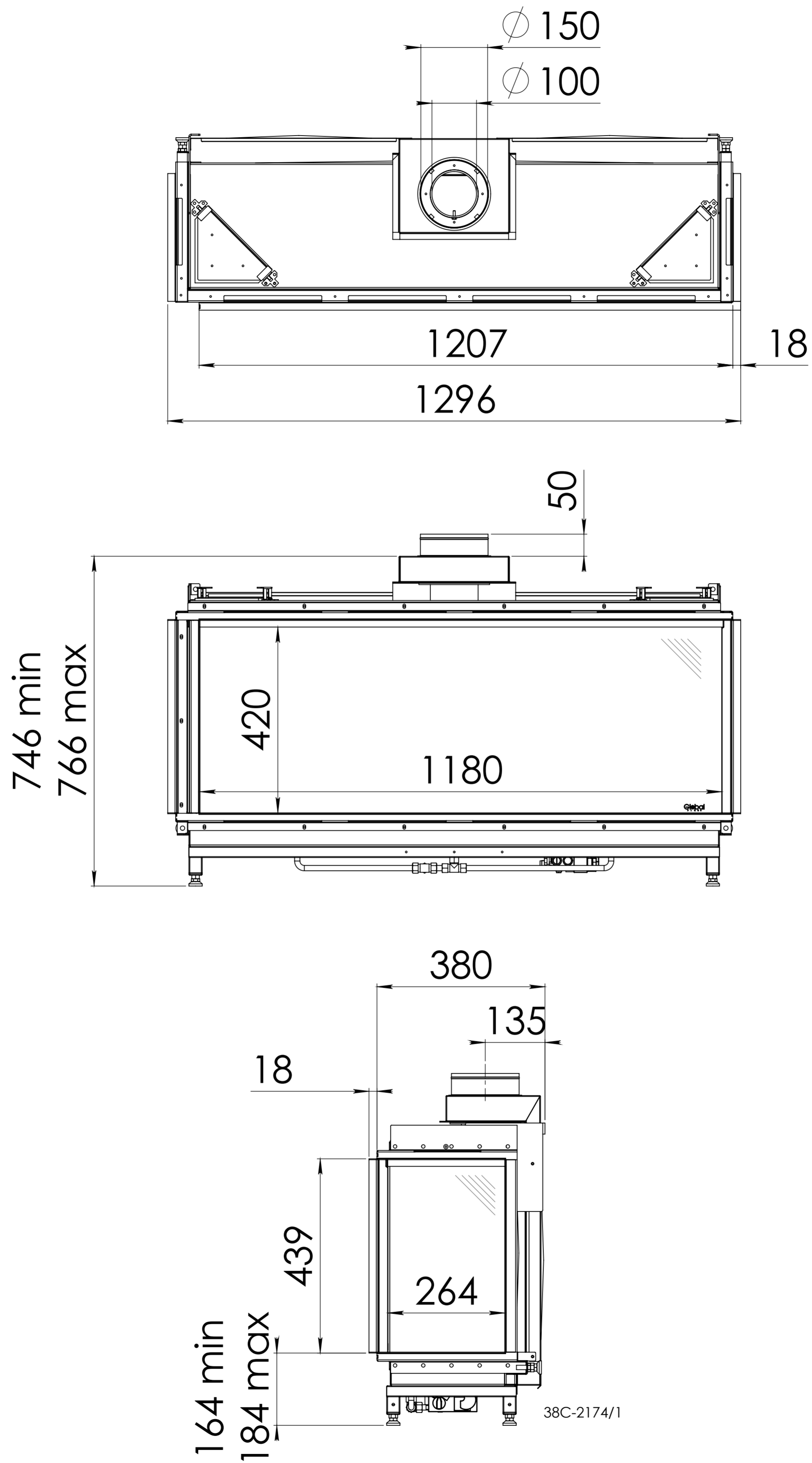


Global 120 Corner L



Global 120 corner R