

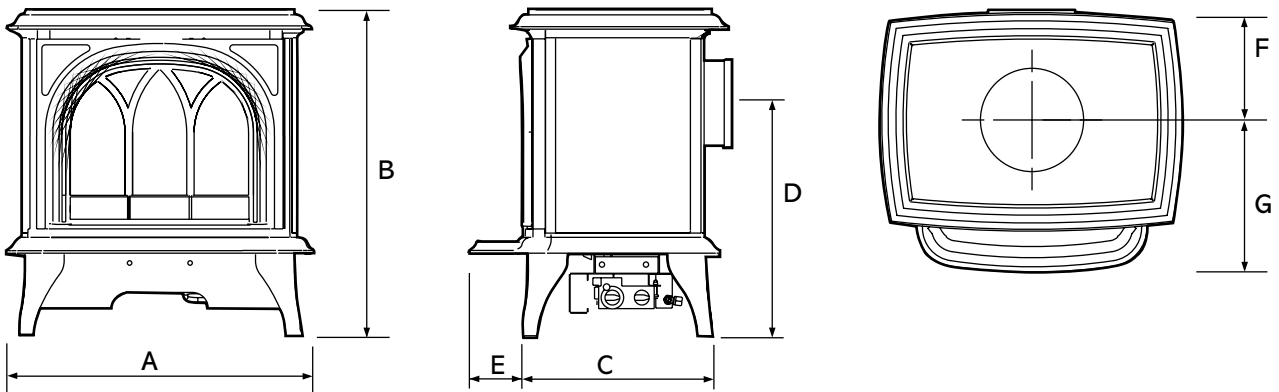


PRODUCT DIMENSIONS

IMPORTANT

The dimensional information given below is to assist you in your choice of appliance. It is not intended to provide all the information that may be required for installation purposes. This can be obtained from your retailer or by viewing/downloading the full installation manuals.

ELECTRIC HUNTINGDON 30



Huntingdon 30 Dimensions (see letters on diagram)

	A		B		C		D		E		F		G	
	ins	mm	ins	mm	ins	mm	ins	mm	ins	mm	ins	mm	ins	mm
30	22	560	23 ^{1/4}	592	13 ^{7/8}	351	15 ^{3/4}	403	3 ^{4/5}	96	6 ^{7/8}	174	18 ^{6/4}	475